

SEALED FLOOR WASTE FOR VINYL FLOORS  
AT5-SFWVCR



### FEATURES

- Stainless Steel Grade 304
- Fully Sealed Gas Tight Removable Lid
- Removable Basket
- Fixed Tertiary Strainer prevents solid discharge to Sewer
- Designed for Vinyl Floors

### OPTIONS

- Top & Lid for Tiled or Epoxy Floor
- Marine Grade 316
- Available with Silt / Sediment Basket

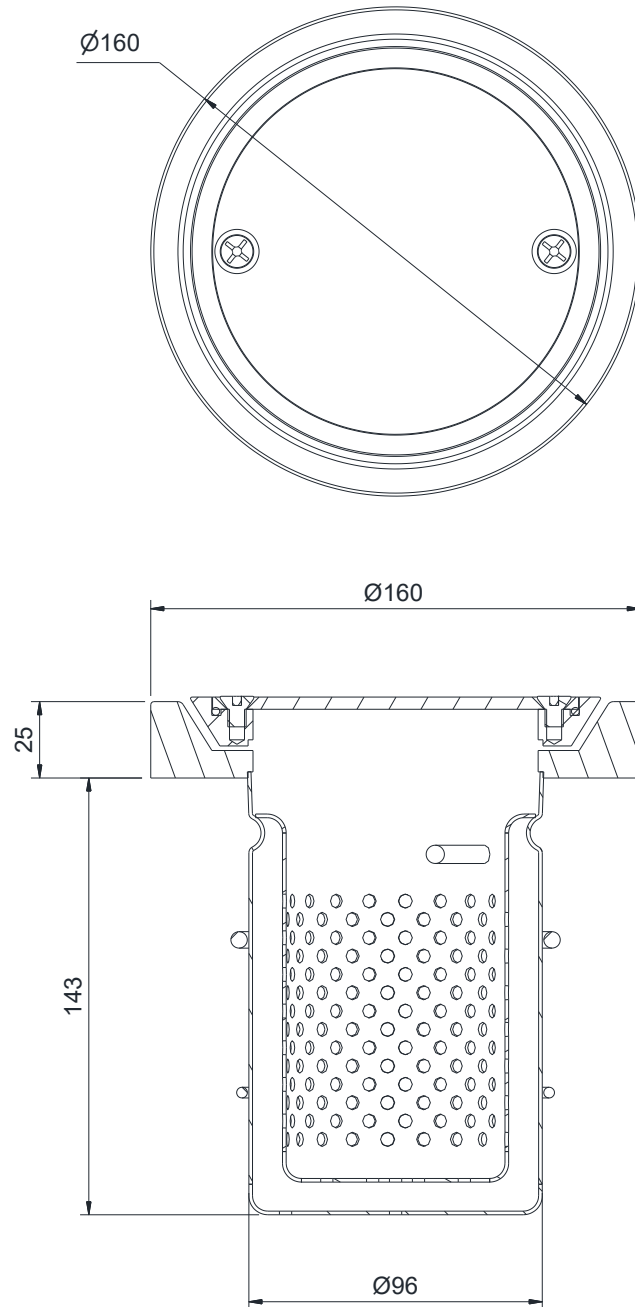


WaterMark  
AS 3495:1997 and AT5 5200.040:2005  
Certificate No 23228



DRAINS, SUMPS & GRATES

SEALED FLOOR WASTE FOR VINYL FLOORS  
AT5-SFWVCR



**SPECIFICATIONS**

Stainless Steel Sealed Floor Waste For Vinyl Floor Shall be Model AT5-SFWVCR from  
Stainless Metal Craft  
Phone 02 4735 5666